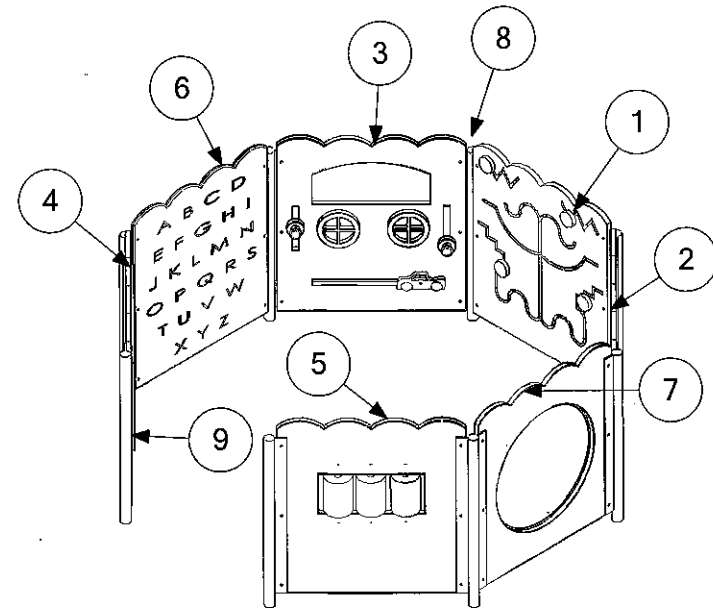
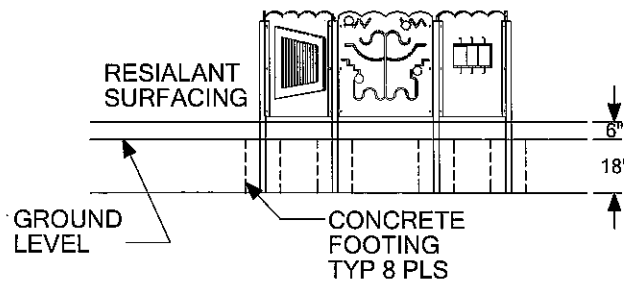
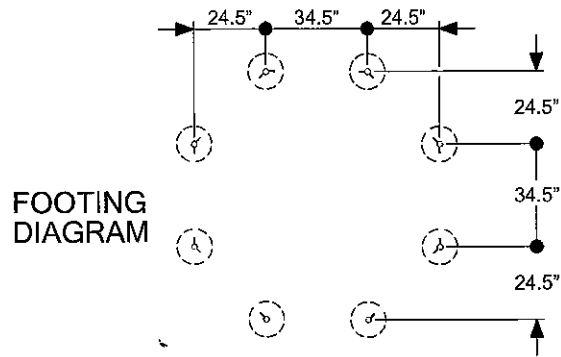
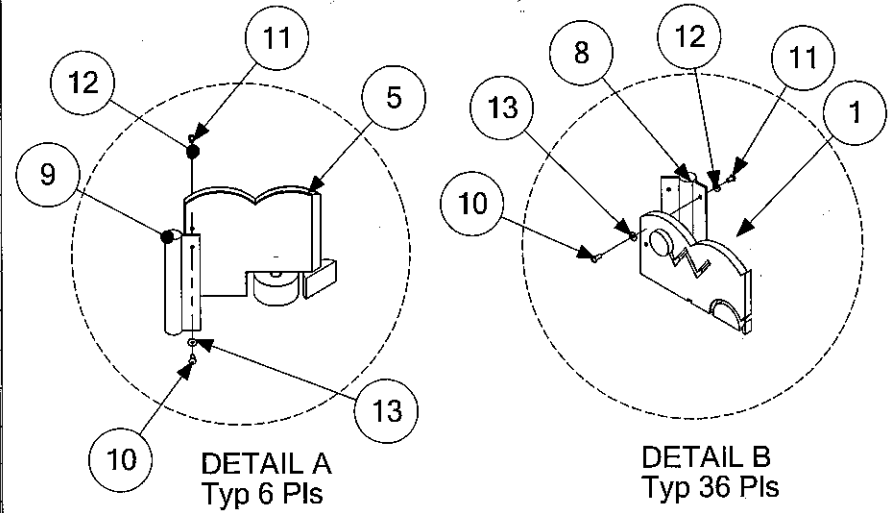




KIDDIE KORRAL

902-880

ITEM NO.	PART NUMBER	DESCRIPTION	QTY.
1	913-336	Spinner Maze Panel	1
2	913-337	Mirror Panel	1
3	913-338	Dual Driving Panel	1
4	913-339	Music Panel	1
5	913-340	Dino Spin Panel	1
6	913-341	Alphabet Panel	1
7	913-342	Bubble Panel	1
8	913-334	Post w/2Tab	6
9	913-335	Post w/1 Tab	2
10	116-529	5/16" x 3/4" Buttonhead Bolt	42
11	216-512	5/16" x 1" Buttonhead Nut	42
12	316-601	3/8" Flat Washer	42
13	316-501	5/16" Flat Washer	42



SHEET 1 OF 2

5

4

3

2

1

Step 4: Concrete

1. Verify all posts, decks and components are tight, level and square. Once the unit is verified to be level and square you may start installing concrete. You must use concrete with a minimum of 2,500 psi.
2. Always pre mix the concrete to the manufactures directions before pouring it into the hole. Never put dry concrete in the hole. Typically each main posthole requires two 80-pound bags of concrete.
3. Allow concrete to set in accordance with manufacturers directions. Fill holes too about 2" below the surface with concrete. Once the hole has been filled with concrete, slope the top of the concrete down and away from the post to keep water from seeping between the post and the concrete.
4. Secure playground area to prevent access while the concrete is setting for a minimum of 48 hours.
5. SportsPlay recommends having a CPSI (certified playground safety inspector) present during installation. If that's not possible you should have the completed playground (after surfacing is in place) inspected by a CPSI.

Step 5: Last Step

1. After concrete has completely set, backfill all holes with dirt.
2. Install surfacing label, 12" from dirt surface on main posts for mulch.
3. Install surfacing.

FOOTING SIDE VIEW

